

# (1) CERTIFICATE

- (2) No. of the certificate: **ZP/B091/16-PZ**
- (3) Product: **Anchor device Type A  
Typ: SPINFIX Roof Anchor**
- (4) Manufacturer: **Eyecatcher BV**
- (5) Address : **Teddingtonweg 28G, 2421 NIEUWKOOP, NIEDERLANDE**
- (6) The design of this product and any acceptable variation thereto are specified annex to this certificate.
- (7) The certification body of DEKRA EXAM GmbH certifies that this product comply with the requirements of the test regulations listed under item 8 below. The test results are recorded in the test and assessment report PB 16-163.
- (8) The requirements of the standard are assured by compliance with  
**DIN EN 795:2012 CEN/TS 16415:2013**
- (9) This certificate relates only to the design, examination and tests of the specified product in accordance to the test regulations. Further requirements apply to the manufacturing process and supply of this product. These are not covered by this certificate.
- (10) The manufacturer is authorised to affix the approval mark to products which comply with the tested model.



- (11) This certificate is valid until 2016-07-14.

DEKRA EXAM GmbH  
Bochum, 2016-07-15

signed: Wiegand  
Certification body

signed: Mühlenbruch  
Special services unit

We confirm the correctness of the translation from the German original. In the case of arbitration only the German wording shall be valid and binding.

  
Certification body

  
Special services unit

## TRANSLATION

- (12) Annex to
- (13) **Certificate**  
**ZP/B091/16-PZ**
- (14) 14.1 Subject and type  
Anchor device Type A  
Typ: SPINFIX Roof Anchor

### 14.2 Description

The anchor device, type: SPINFIX Roof Anchor is used for protecting up to two people against falls from a height.

The anchor device consists of a base plate and an elongation element with anchor point. The mounting on the structure occurs with suitable fastening elements.

The dimensions of the base plate are as follows: 135 mm x 235 mm x 2 mm.

The elongation element is pre-assembled with a M10 screw connection.

The eyelet at the elongation element is used for attaching the personal protective equipment against falls from a height of the user.

The anchor device is intended for load from any direction parallel to the structure and it consists of corrosion-resistant steel.

Note: The anchor device's attachment to the building is not part of this type examination.

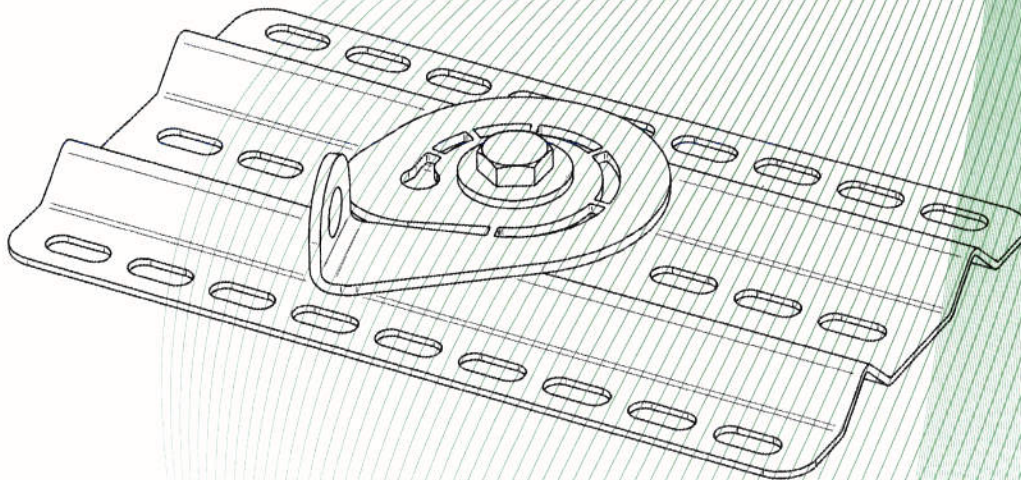


Fig.: Anchor device, type: SPINFIX Roof Anchor

- (15) Test and assessment report  
PB 16-163, dd. 2016-07-13