

(1) EC-Type Examination Certificate

(2) Council Directive of 21 December 1989 on the approximation of the laws of the member states relating to personal protective equipment - 89/686/EEC

(3) No. of EC-Type Examination Certificate: **ZP/B081/16**

(4) Product: **Guided type fall arrester including a rigid anchor line**
Type: **Vertifix**

(5) Manufacturer: **Eyecatcher BV**

(6) Address: **Teddingtonweg 28G, 2421 NIEUWKOOP, NETHERLANDS**

(7) The design and construction of this personal protective equipment and any acceptable variation thereto are specified in the schedule to this type examination certificate.

(8) The certification body of DEKRA EXAM GmbH, Notified Body No. 0158 according to Article 9 of Council Directive 89/686/EEC of 21 December 1989, certifies that this personal protective equipment has been found to comply with the Essential Health and Safety Requirements given in Annex II to the Directive. The examination and test results are recorded in the test and assessment report **PB 16-148**.

(9) The Essential Health and Safety Requirements are assured by compliance with

DIN EN 353-1:2014

(10) This EC-Type Examination Certificate relates only to the design, examination and tests of the specified personal protective equipment in accordance to Directive 89/686/EEC. Further requirements of the Directive apply to the manufacturing process and supply of this personal protective equipment. These are not covered by this certificate.

(11) When applying the CE Marking to the products that conform to the types examined, the client is obliged to add, in accordance with the attached pattern, the identification number of the Notified Body engaged in production control.

CE 0158

(12) This EC-Type Examination certificate is valid until 2021-07-10.

DEKRA EXAM GmbH
Bochum, 2016-07-11

signed: Wiegand
Certification body

signed: Mühlenbruch
Special services unit

We confirm the correctness of the translation from the German original.
In the case of arbitration only the German wording shall be valid and binding.


Certification body


Special services unit

TRANSLATION

- (13) Appendix to
- (14) **EC-Type Examination Certificate**
ZP/B081/16
- (15) 15.1 Subject and Type
Guided type fall arrester including a rigid anchor line
Type: Vertifix

15.2 Description

The guided type fall arrester including a rigid wire-rope anchor line, type: Vertifix (fig. 1) is intended to protect one person against falls from a height on vertically aligned anchor lines.

The user can connect his personal protective equipment to the connector of the guided type fall arrester to protect himself against falls from a height.

The connector is firmly connected to the guided type fall arrester via a wire rope (fig. 3). The maximum permissible nominal load is 150 kg. The minimum permissible nominal load is 60 kg.

The guided type fall arrester can be removed and placed at each position on the rigid anchor line by means of an opening mechanism. The placing of the guided type fall arrester on the rigid anchor line in the intended direction is shown by a symbol.

Additionally, there is a lock integrated in the opening mechanism that prevents the placement of the device in the wrong direction. A wire rope (\varnothing 8 mm, construction 7x19) made of corrosion-resistant steel is used as the rigid anchor line.

The upper bracket is directly mounted to the building. The absorbing element ($t = 4$ mm) and the support for the steel rope are installed to the upper bracket. The lower bracket is identical to the upper one, but instead of the absorbing element a rope tensioner is installed at this point.

The anchor line is supported by means of guiding brackets (fig. 4). The upper and the lower end of the anchor line cannot be overridden unintentionally, because they are closed by the end connections of the anchor line.

Alternatively, an extended boom with an overhang of 0.5 m above the upper attachment can be used as upper bracket (fig. 2).

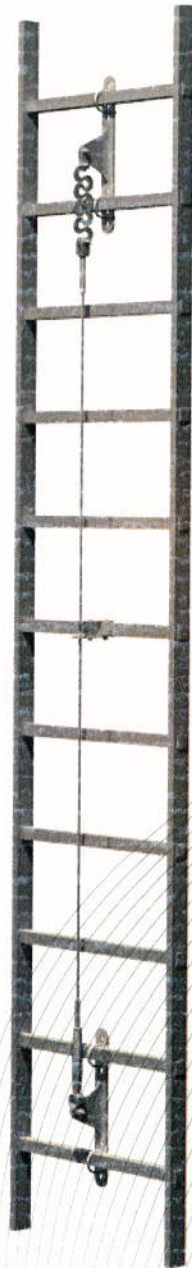


Fig. 1: Vertifix with top bracket



Fig 2: Vertifix with top bracket,
type: Elongation bar

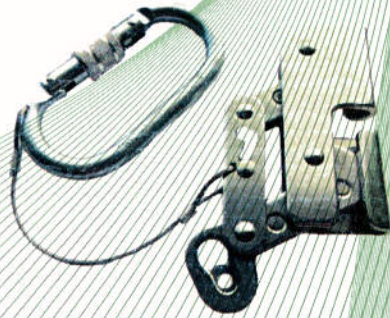


Fig. 3: Guided type fall arrester,
type: Vertifix Shuttle

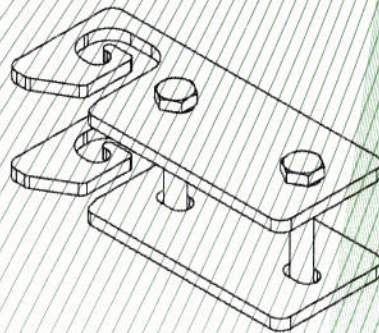


Fig. 4: Guiding bracket

(16) Test and Assessment Report

PB 16-148, dd 2016-07-08